



DIN-rail Soft Starter

ASTAT - S

- ▣ Range of DIN Rail Soft Starters with current ratings from 8A to 58A, and covering motor ratings from 4 to 30kW at 400V.





PRODUCT DEFINITION

▣ ASTAT S, key features

- **Compact, small case.**
- **Voltage range up to 600V.**
- **Integral by-pass, two phase controlled system.**
- **DIN rail mounting. Optional from 31A.**
- **Soft Start and Soft Stop.**
- **EOR relay output available for 31A, 44A, 58 A ratings.**





PRODUCT SPECIFICATIONS

- ❑ **Voltage ratings** 3 phase AC systems, up to 600V.

- ❑ **Applicable motor** Up to 30kW / 400V.
Maximum: up to 55kW / 575V

- ❑ **Starting current** Maximum: Up to 3.5 times unit rated current.

- ❑ **Control mode** Two phase control with integral by-pass.

- ❑ **Control settings** Ramp up.
Ramp down.
Initial Voltage (starting torque)

- ❑ **I/O Control** One digital input for Start/Stop
One dry relay output for EOR. (for 31, 44, 58A only)

- ❑ **Installation Environment** - Temperature range: -10 to 40°C,
- Humidity: 80% non-condensation
- Protection degree IP20

- ❑ **Standards** - CE - IEC



PERFORMANCES

**▣ ASTAT S soft start/stop
Vs. D.O.L. starting**

Fig. 1a (DOL start)

DOL

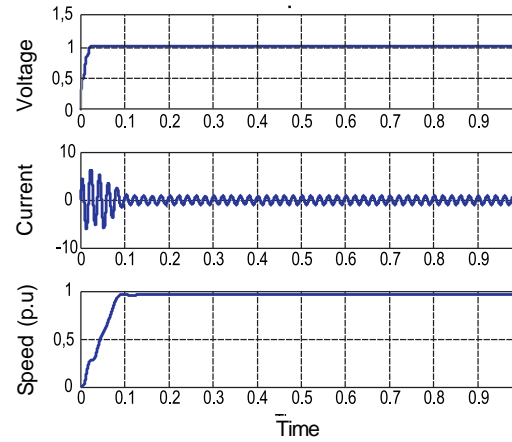


Fig. 1b (ASTAT S soft start)

$U_o=0,5U_n$, $T_o=0,25T_n$, RAMP UP 0,9S

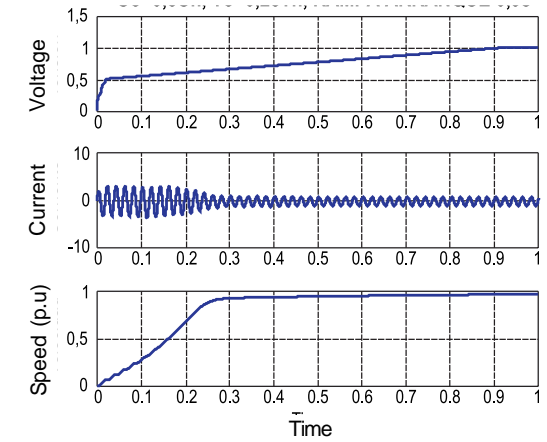


Fig. 2a (DOL stop)

DOL

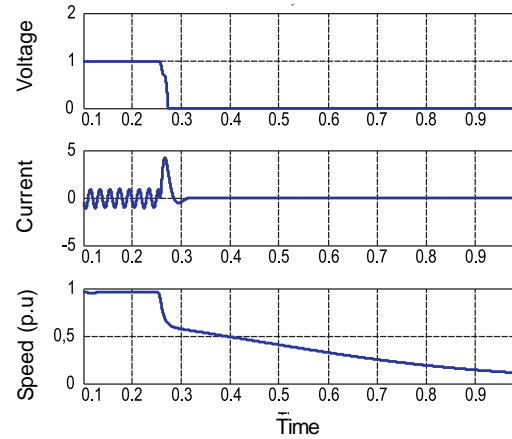
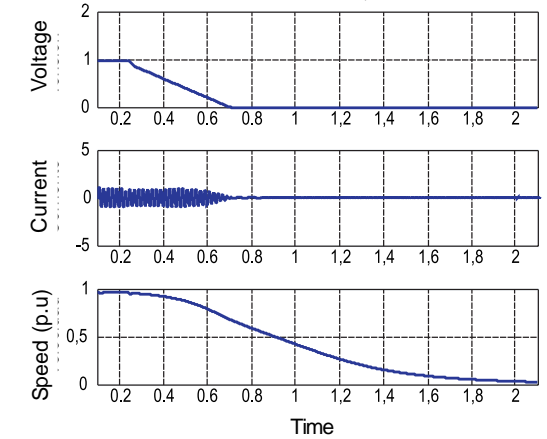


Fig. 2b (ASTAT soft stop)

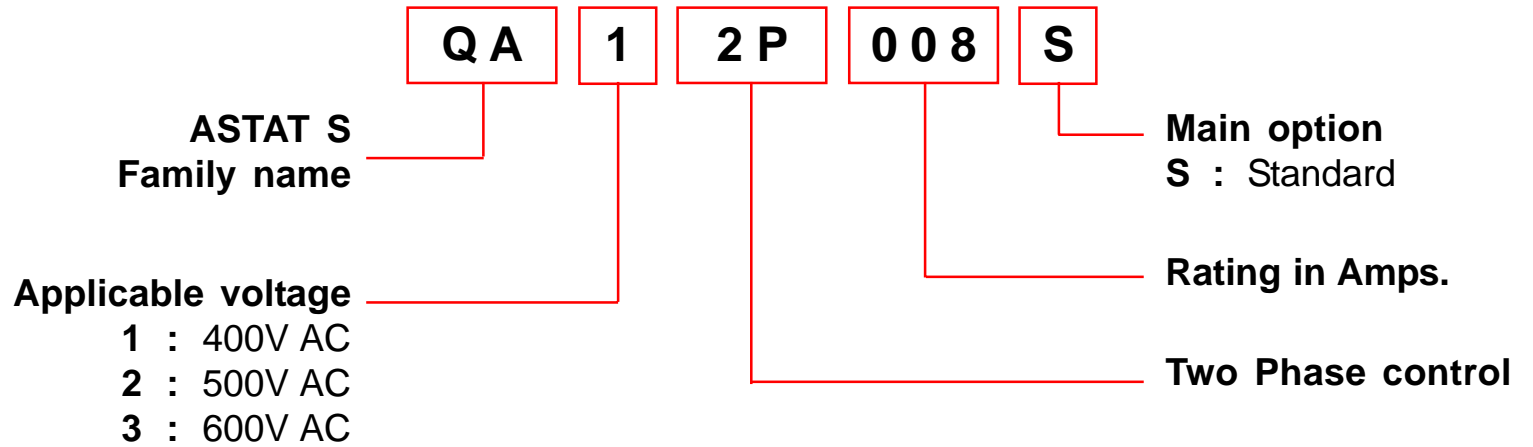
RAMP DOWN 0,5s





PRODUCT RANGE

Product configuration



Product Ratings

	Rated current	Max. current	400V AC QA 1 _ _ _	500V AC QA 2 _ _ _	600V AC QA 3 _ _ _
Max. applicable motor	(A)	(A)	(kW)	(kW)	(kW)
QA _ 2P008S	8	28	4	5,5	7,5
QA _ 2P017S	17	60	7,5	11	15
QA _ 2P022S	22	77	11	15	22
QA _ 2P031S	31	110	15	22	30
QA _ 2P044S	44	150	22	30	37
QA _ 2P058S	58	200	30	45	55



PRODUCT RANGE

Operations and Cycles/hour

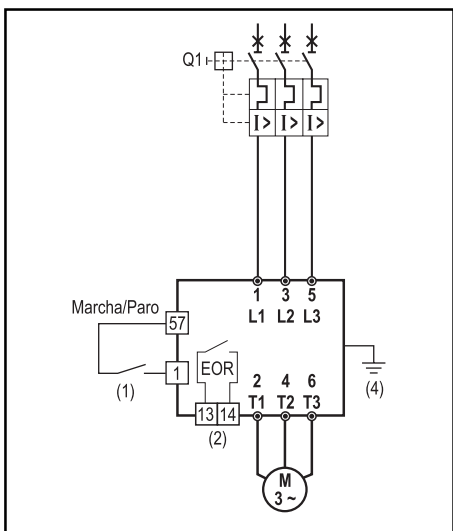
	Starting	Ramp 1 sec.		Ramp 2 sec.		Ramp 5 sec.	
	Current	Ops./hour	Cycles/hour	Ops./hour	Cycles/hour	Ops./hour	Cycles/hour
QA_2P008S	8	450	225	210	105	100	50
	16	210	105	100	50	46	23
	24	130	65	66	33	28	14
	28 (*)	108	54	56	28	22	11
QA_2P017S	17	450	225	210	105	90	45
	34	210	105	100	50	42	21
	51	130	65	66	33	26	13
	60 (*)	108	54	56	28	22	11
QA_2P022S	22	450	225	210	105	90	45
	44	210	105	100	50	42	21
	66	130	65	66	33	26	13
	77 (*)	108	54	56	28	22	11
QA_2P031S	31	720	360	360	180	140	70
	62	400	200	210	105	80	40
	93	276	138	130	65	52	26
	110 (*)	224	112	100	50	44	22
QA_2P044S	44	720	360	360	180	140	70
	88	400	200	210	105	80	40
	132	276	138	130	65	52	26
	155(*)	224	112	100	50	44	22
QA_2P058S	58	720	360	360	180	140	70
	116	400	200	210	105	80	40
	174	276	138	130	65	52	26
	200 (*)	224	112	100	50	44	22

(*)Maximum Starting current at all

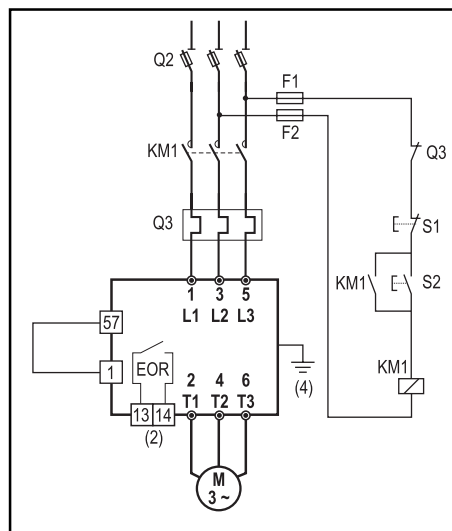


BASIC WIRING DIAGRAMS

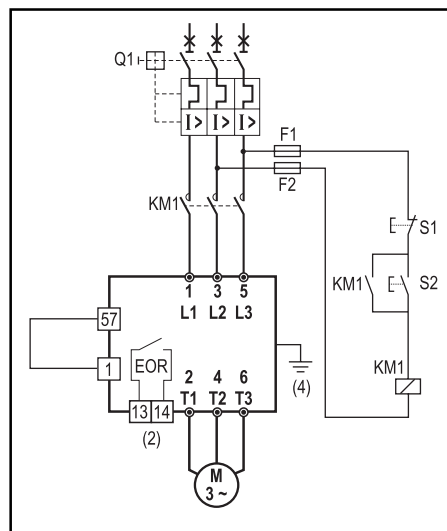
Control by permanent command (soft start and stop)



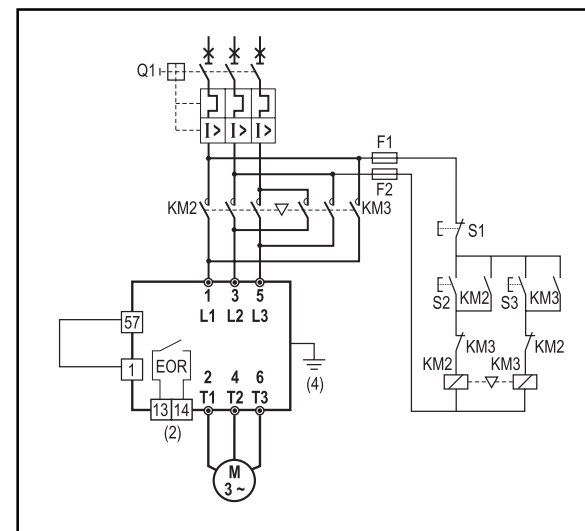
Control by push buttons, line contactor and thermal overload relay (soft start)



Control by push buttons and line contactor (soft start)



Control forward/reverse by push buttons



Motor (power) 380/415V kW hp	ASTAT S	Q1	Q2	KM1	Q3	F1-F2	S1-S2-S3
4 5	QA12P008	GPS1B*AK	10	CL25A	RT A 1N	-	P9
7,5 10	QA12P017	GPS1B*AN	25	CL25A	RT A 1S	-	P9
11 15	QA12P022	GPS1B*AP	32	CL25A	RT A 1T	-	P9
15 20	QA12P031	GPS1B*AR	40	CL04A	RT A 1V	-	P9
22 30	QA12P044	GPS1B*AT	63	CL06A	RT A 2F	-	P9
30 40	QA12P058	GPS1B*AU	80	CL07A	RT A 2H	-	P9

Coordination type 2



DIMENSIONS

Very small dimensions (mm) :

