

THE CP1 FAMILY

Compact machine controllers



» Fast programming with Function Blocks

» Flexible Ethernet connectivity

» Easy positioning functionality

Think big... start small!

Omron's vast experience in the field of industrial automation has resulted in the creation of the right products for your applications, ranging from simple to more complex automation solutions. The CP1 family of programmable logic controllers provides you with a complete product line-up to automate compact machines and perform any other simple automation tasks, quickly and easily. Programming and operation are consistent with Omron's other modular PLCs. And you are guaranteed the same high quality and reliability that you expect from any Omron product, ensuring that your equipment keeps on giving continuous dependable performance.

Scalable solution

The CP1 family is scalable; this means that you can choose the products with the right level of sophistication to meet your automation needs in terms of functionality, flexibility and pricing. Each of the CP1 family models, the CP1E, CP1L and CP1H, offers the functionality required for complete machine control. Benefits include: easy expansion of I/O, fast and versatile communication, and full positioning capabilities via ready-to-use Function Blocks. The CP1 family uses the same instruction set and professional programming software found in Omron's other modular PLCs.





Answering your needs... precisely

Fast and versatile communication

Flexible, fast and yet cost-effective communication is essential in today's competitive market. This applies in particular to compact PLCs, which not only need to connect with devices inside the machine, but also outside the machine for operating, data-logging and remote access. With this in mind, Omron has given the CP1 family excellent communication capabilities for both serial and Ethernet networking. In addition, Omron provides flexible and economical option boards for serial communication.

Flexible Ethernet connectivity

To meet communication needs over different protocols simultaneously and to easily connect for remote access, our latest CP1L PLC features embedded Ethernet with socket services functionality. This offers, among other things,

programmable connectivity to third-party devices and makes this outstanding product the best-in-class machine controller on the market.

Easy positioning functions

The CP1 family is designed to fulfill position control tasks. Up to four axes of servo-drives can be controlled with high-speed pulse outputs, while high-speed pulse inputs can allow the connection of up to four encoders. Control is easily achieved with Function Block or standard functions without the need of specialist motion boards or expansion units. Furthermore, thanks to its fast serial ports, the CP1 family is also capable of performing simple positioning tasks. With the use of Modbus Function Blocks, up to 31 inverters can be controlled and monitored in real-time.

Easy positioning, quick results

The CP1 family is the perfect choice for any application that requires positioning. Whether for conveyor control, point-to-point position control, or non-interpolated pick-and-place systems, the combination of high-speed pulse outputs, variable speed drive control and position feedback will provide all the functionality that you need for your application.

Ideal for position control

When simplicity and ease of use are essential, there is no better solution for your position applications than combining the CP1 family with servos and inverters from Omron's extensive range. The SmartStep 2 servo drive is a perfect partner and offers high performance while keeping things simple and cost effective. With the servo position feedback to the controller for position loop control you can monitor the actual positioning and it can also be used to synchronise with another axis. Omron provides standard functions and Function Blocks for SmartStep 2 and other servo drives to create your application with minimal effort.

Easy variable speed drive control

Variable speed drive control is made easy within the CP1 family by using the serial port(s) and the Easy Modbus Master feature for high-speed communication. Omron Function Blocks enable you to control and monitor up to 31 inverters in real-time simply by configuration of parameters. With the encoders connected to the high-speed counter inputs, the CP1 is able to calculate the exact position to perform accurate positioning easily and quickly. In addition, in the MX2 inverter series, all simple positioning is handled within the drive itself.





Saving you time

For many standard functions Omron provide ready-to-use and tested Function Blocks that allow you to reduce your programming and testing time. With Function Blocks you achieve faster, easier and more structured programming that can also increase machine functionality. Ladder programming still remains the easiest language for many people to use, but for more complex mathematical calculations 'Structured Text' (ST) offers greater flexibility. These languages are supported in the CP1L and CP1H. Omron's software is renowned for its ease of use and intuitive style and CX-One is no exception.

Flexible Ethernet connectivity

As simple and quick- as USB!

Thanks to the CP1L's Automatic-Connect function, programming over Ethernet is as simple as using USB on the other models in the CP1 family. This means that you don't need to waste time adjusting the Ethernet settings on the PC, but that you can simply plug and connect, just like USB. The Automatic-Connect function connects instantly over a default IP address to the CP1L, saving you valuable set-up time.

Versatile communication

Omron's CP1L Ethernet models are equipped as standard with Socket Services. This facilitates the easy exchange of data with other Ethernet devices supporting a dedicated protocol. The Socket Services reduce effort and simplify programming and allow Ethernet protocols to be used directly from your PLC program. Ethernet can also be used for applications that require remote access functionality, such as a secure VPN connection with a standard router.

Omron network



Wireless Ethernet



CP1 PLC



Operate and Monitoring



Socket Service



Remote access



Data Logging



Modbus/TCP

More options – greater possibilities!

More analogue I/Os

In addition to the two standard embedded analogue inputs, Omron's CP1L with embedded Ethernet also supports three new, optional analogue I/O boards. These enable you to add extra analogue inputs and outputs, and mixed inputs/outputs at minimum cost and without the need for more cabinet space. With its analogue I/O modules, auto-tuning PID function, and the Easy Modbus Master feature to communicating to temperature controllers, the CP1 is ideal for accurate process control.



CP1 family features at a glance

- 10 to 60 I/O base models, expandable to 320 I/O points
- Digital, analogue and temperature sensor I/O expansion units
- 4 to 6 High-speed encoder inputs and 2 to 4 high-speed pulse outputs
- Modbus Master feature for easy inverter or temperature control
- Analogue I/O option boards and auto-tuning PID for accurate process control
- Optional boards for RS-232/RS-422/485/Ethernet or LCD display
- Ladder diagram, Function Block or Structured Text programming
- Powerful instruction set compatible within Omron's modular PLC series
- USB or Ethernet port – no special cables needed
- No-Battery mode operation – retains the program and data

Maximize efficiency by selecting the optimum CPU unit for your applications



		CP1E											
		E-type					N-type						
		CP1E -E10D_-	CP1E -E14DR-A	CP1E -E20DR-A	CP1E -E30DR-A	CP1E -E40DR-A	CP1E -N14D_-	CP1E -N20D_-	CP1E -NA20D_-	CP1E -N30D_-	CP1E -N40D_-	CP1E -N60D_-	
I/O	Digital Inputs	6	8	12	18	24	8	12	12	18	24	36	
	Digital Outputs	4	6	8	12	16	6	8	8	12	16	24	
	Removable Terminals	No					No						
	Total I/O Capacity	10	14	20	150	160	14	20	140	150	160	180	
	CP1W Expansion Units	No			Yes (3 max.)		No		Yes (3 max.)				
	CJ-Series Special I/O and CPU Bus Units	No					No						
	Interrupt/Quick/Counter Inputs	4	6					6					
	High Speed Counter Inputs	5 (10 kHz max.)	6 (10 kHz max.)					2 (100 kHz max.) and 4 (10 kHz max.)					
	Pulse Outputs (transistor outputs models only)	No					2 axes (100 kHz max.)						
	Analogue I/O (embedded)	No					No		2 inputs, 1 output		No		
	Analogue Adjuster (0-255)	Yes (2)					Yes (2)						
	External Analogue Settings Input (resolution 1/256)	No					No						
Optional boards	Number of boards supported	0					0		1				
	Serial Communications (CP1W-CIF01/11/12)	No					No		Yes				
	Ethernet (CP1W-CIF41)	No					No		Yes				
	LCD Display (CP1W-DAM01)	No					No						
	Analogue I/O boards	No					No						
CPU details	Programming port	USB					USB						
	RS-232C port (embedded)	No					Yes (1)						
	Function Blocks support (Ladder diagrams or ST language)	No					No						
	Processing Speed (minimum)	1.19 µs / Basic instruction, 7.9 µs / Special instruction					1.19 µs / Basic instruction, 7.9 µs / Special instruction						
	Program Capacity	2K steps					8K steps						
	Data Memory Capacity	2K words					8K words						
	Memory Cassette (CP1W-ME05M)	No					No						
	Real-Time Clock	No					Yes (with optional battery)						
Battery	No					Optional							
7-Segment Display	No					No							
Relay Outputs	AC Power Supply	CP1E -E10DR-A	CP1E -E14DR-A	CP1E -E20DR-A	CP1E -E30DR-A	CP1E -E40DR-A	CP1E -N14DR-A	CP1E -N20DR-A	CP1E -NA20DR-A	CP1E -N30DR-A	CP1E -N40DR-A	CP1E -N60DR-A	
	DC Power Supply	CP1E -E10DR-D	-	-	-	-	CP1E -N14DR-D	CP1E -N20DR-D	-	CP1E -N30DR-D	CP1E -N40DR-D	CP1E -N60DR-D	
Transistor Outputs	Sink Type	AC Power Supply	CP1E -E10DT-A	-	-	-	CP1E -N14DT-A	CP1E -N20DT-A	-	CP1E -N30DT-A	CP1E -N40DT-A	CP1E -N60DT-A	
		DC Power Supply	CP1E -E10DT-D	-	-	-	CP1E -N14DT-D	CP1E -N20DT-D	CP1E -NA20DT-D	CP1E -N30DT-D	CP1E -N40DT-D	CP1E -N60DT-D	
	Source Type	AC Power Supply	CP1E -E10DT1-A	-	-	-	CP1E -N14DT1-A	CP1E -N20DT1-A	-	CP1E -N30DT1-A	CP1E -N40DT1-A	CP1E -N60DT1-A	
		DC Power Supply	CP1E -E10DT1-D	-	-	-	CP1E -N14DT1-D	CP1E -N20DT1-D	CP1E -NA20DT1-D	CP1E -N30DT1-D	CP1E -N40DT1-D	CP1E -N60DT1-D	

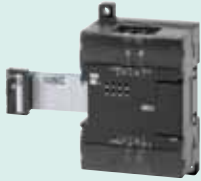
Note: This table is a general overview only. For details, refer to the CP1E datasheet (Cat. No. P061), CP1L datasheet (Cat. No. P081) or CP1H datasheet (Cat. No. P080).



CP1L									CP1H		
L-type			M-type			EL-type	EM-type				
CP1L -L10D_-	CP1L -L14D_-	CP1L -L20D_-	CP1L -M30D_-	CP1L -M40D_-	CP1L -M60D_-	CP1L -EL20D_-	CP1L -EM30D_-	CP1L -EM40D_-	CP1H -Y20DT-D	CP1H -X40D_-	CP1H -XA40D_-
6	8	12	18	24	36	12	18	24	12	24	24
4	6	8	12	16	24	8	12	16	8	16	16
No			Yes			No		Yes		Yes	
10	54	60	150	160	180	60	150	160	300	320	320
No		Yes (1 max.)	Yes (3 max.)			Yes (1 max.)	Yes (3 max.)		Yes (7 units or 15 input words / 15 output words max.)		
No						No			Yes (2 max.)		
2	4	6				6			6	8	
4 (100 kHz max.)						4 (100 kHz max.)			2 (100 kHz max.) and 2 Line-driver (1 MHz)	4 (100 kHz max.)	
2 axes (100 kHz max.)						2 axes (100 kHz max.)			2 (100 kHz max.) and 2 Line-driver (1 MHz)	4 axes (100 kHz max.)	
No						2 inputs			No		4 inputs, 2 outputs
Yes (1)						No			Yes (1)		
Yes (0-10V)						No			Yes (0-10V)		
0	1	2					1	2		2	
No		Yes				Yes			Yes		
No		Yes				No			Yes		
No		Yes				Yes			Yes		
No						Yes			No		
USB						Ethernet			USB		
No						No			No		
Yes						Yes			Yes		
0.55 µs / Basic instruction, 4.1 µs / Special instruction						0.55 µs / Basic instruction, 4.1 µs / Special instruction			0.10 µs / Basic instruction, 0.15 µs / Special instruction		
5K steps			10K steps			5K (+10K FB) steps		10K (+10K FB) steps		20K steps	
10K words			32K words			10K words		32K words		32K words	
Yes						Yes			Yes		
Yes						Yes			Yes		
Yes						Yes			Yes		
No						No			Yes		
CP1L -L10DR-A	CP1L -L14DR-A	CP1L -L20DR-A	CP1L -M30DR-A	CP1L -M40DR-A	CP1L -M60DR-A	-	-	-	-	CP1H -X40DR-A	CP1H -XA40DR-A
CP1L -L10DR-D	CP1L -L14DR-D	CP1L -L20DR-D	CP1L -M30DR-D	CP1L -M40DR-D	CP1L -M60DR-D	CP1L -EL20DR-D	CP1L -EM30DR-D	CP1L -EM40DR-D	-	-	-
CP1L -L10DT-A	CP1L -L14DT-A	CP1L -L20DT-A	CP1L -M30DT-A	CP1L -M40DT-A	CP1L -M60DT-A	-	-	-	-	-	-
CP1L -L10DT-D	CP1L -L14DT-D	CP1L -L20DT-D	CP1L -M30DT-D	CP1L -M40DT-D	CP1L -M60DT-D	CP1L -EL20DT-D	CP1L -EM30DT-D	CP1L -EM40DT-D	CP1H -Y20DT-D	CP1H -X40DT-D	CP1H -XA40DT-D
-	-	-	-	-	-	-	-	-	-	-	-
CP1L -L10DT1-D	CP1L -L14DT1-D	CP1L -L20DT1-D	CP1L -M30DT1-D	CP1L -M40DT1-D	CP1L -M60DT1-D	CP1L -EL20DT1-D	CP1L -EM30DT1-D	CP1L -EM40DT1-D	-	CP1H -X40DT1-D	CP1H -XA40DT1-D

Expansion units

Expansion I/O Units

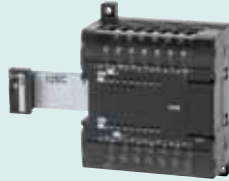


CP1W-8ED
DC inputs: 8

CP1W-8ER
Relay outputs: 8

CP1W-8ET
Transistor outputs (sinking): 8

CP1W-8ET1
Transistor outputs (sourcing): 8

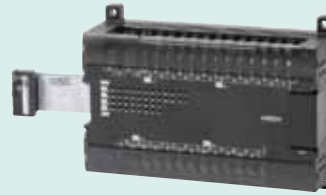


CP1W-16ER
Relay outputs: 16

CP1W-16ET
Transistor outputs (sinking): 16

CP1W-16ET1
Transistor outputs (sourcing): 16

CP1W-20EDR1
DC inputs: 12
Relay outputs: 8



CP1W-20EDT
DC inputs: 12
Transistor outputs (sinking): 8

CP1W-20EDT1
DC inputs: 12
Transistor outputs (sourcing): 8

CP1W-32ER
Relay outputs: 32

CP1W-32ET
Transistor outputs (sinking): 32

CP1W-32ET1
Transistor outputs (sourcing): 32
CP1W-40EDR
DC inputs: 24
Relay outputs: 16

CP1W-40EDT
DC inputs: 24
Transistor outputs (sinking): 16

CP1W-40EDT1
DC inputs: 24
Transistor outputs (sourcing): 16

Analogue I/O Units



Analogue Input Unit
CP1W-AD041
Analogue inputs: 4 (resolution: 6,000)

Analogue Output Unit
CP1W-DA021
Analogue outputs: 2 (resolution: 6,000)

CP1W-DA041
Analogue outputs: 4 (resolution: 6,000)



Analogue I/O Unit
CP1W-MAD11
Analogue inputs: 2 (resolution: 6,000)
Analogue outputs: 1 (resolution: 6,000)

Temperature Sensor Unit



CP1W-TS001
Thermocouple inputs: 2

CP1W-TS002
Thermocouple inputs: 4

CP1W-TS101
Platinum-resistance thermometer inputs: 2

CP1W-TS102
Platinum-resistance thermometer inputs: 4

CompoBus/S I/O Link Unit



CP1W-SRT21
Inputs: 8 bits
Outputs: 8 bits

DeviceNet I/O Link Unit



CPM1A-DRT21
Inputs: 32 bits
Outputs: 32 bits

PROFIBUS-DP I/O Link Unit



CPM1A-PRT21
Inputs: 16 bits
Outputs: 16 bits

Optional Boards



CP1W-CIF01
RS-232C
(15 m max.)



CP1W-CIF11
RS-422A/485
(50 m max.)



CP1W-CIF12
RS-422A/485
(Isolated-type)
(500 m max.)



CP1W-CIF41
Ethernet



CP1W-DAM01
Display 4 rows,
12 characters



CP1W-ADB21
Analogue 2 inputs,
0-10 V, 0-20 mA



CP1W-DAB21V
Analogue
2 outputs, 0-10 V



CP1W-MAB221
Analogue 2 inputs
0-10 V, 0-20 mA &
2 outputs 0-10 V

USB Programming Cable



CP1W-CN221
A-type male to B-type male,
Length: 1,8 m

Memory Cassette



CP1W-ME05M
512K words
(upload/download program)

Switch Input Board



CP1W-SWB06

Battery Set



CP1W-BAT01

CJ Unit Adapter



CP1W-EXT01
CJ Unit adapter
for use with
CP1H.
Includes CJ
endplate.

I/O Connecting Cable



CP1W-CN811
Length: 80 cm
CP1W/CPM1A Expansion Units
include I/O Connection Cables (in
lengths of approx. 6 cm) for
side-by-side connection.

Note 1: This table is a general overview only. For details, refer to the CP1E datasheet (Cat. No. P061), CP1L datasheet (Cat. No. P081) or CP1H datasheet (Cat. No. P080).

Note 2: CPM1A Expansion Unit and Expansion I/O Units can be used with CP1H, CP1L or CP1E CPU Units under the same conditions as for the CP1W.

Software

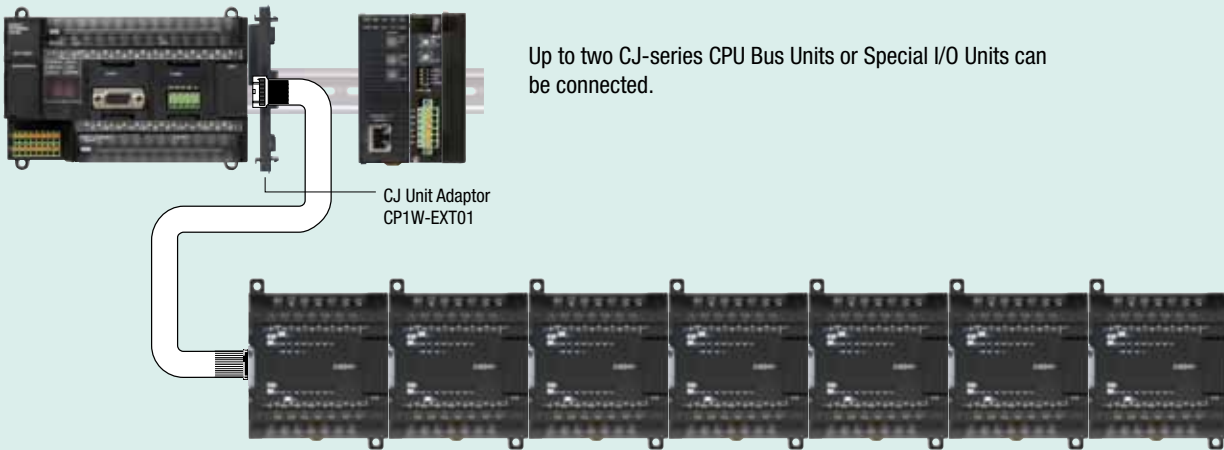
		Media	Order code
CX-One FULL	Single user licence	Licence only	CXONE-AL01-EV4
	Three user licence	Licence only	CXONE-AL03-EV4
	Ten user licence	Licence only	CXONE-AL10-EV4
	Software only	DVD	CXONE-DVD-EV4
CX-One LITE	Single user licence	Licence only	CXONE-LT01-EV4
	Software only	CD	CXONE-LTCD-EV4

CX-One LITE includes: CX-Programmer, CX-Designer, CX-Simulator, CX-Drive, CX-Thermo, CX-Sensor, CX-Integrator, CX-Server, CX-Configurator/FDT, NV-Designer, FB/SAP, PLC Tools/Utilities.

Supported PLCs: CP1E, CP1L, CP1H, CPM1, CPM1A, CPM2A, CPM2C, SRM1.

CX-One supported OS: Windows 7, Windows Vista® or Windows XP (SP3 or higher).
Note: Except for Windows XP 64-bit version.

Using CJ-series units and CP1W units with the CP1H



Up to two CJ-series CPU Bus Units or Special I/O Units can be connected.

CJ Unit Adaptor CP1W-EXT01

Up to 7 CP1W Expansion Units and Expansion I/O Units can be connected.

CP1W Expansion Units and Expansion I/O Units and CJ Units can be used simultaneously.
CP1W-CN811 I/O Connecting Cable is required.

CJ-Series Units for use with CP1H

Description	Unit Name	Model	Description	Unit Name	Model	
Analogue I/O and Control Units	Universal Analogue Input Unit	CJ1W-AD04U	Motion/Position Control Units	Position Control Units	CJ1W-NC113	
	Analogue Input Unit	CJ1W-AD041-V1		CJ1W-NC133		
		CJ1W-AD042		CJ1W-NC213		
		CJ1W-AD081-V1		CJ1W-NC233		
		Analogue Output Unit		CJ1W-DA021	CJ1W-NC413	
				CJ1W-DA041	CJ1W-NC433	
	CJ1W-DA042V			MECHATROLINK-II Position Control Unit	CJ1W-NCF71	
	CJ1W-DA08V				CJ1W-NCF71-MA	
	CJ1W-DA08C				CJ1W-NC271	
	Analogue Input/Output Unit	CJ1W-MAD42		CJ1W-NC471		
	Universal Analogue Input Unit	CJ1W-PH41U		MECHATROLINK-II Motion Control Unit	CJ1W-MCH71	
	Process Input Unit	CJ1W-PDC15		Communication Units	Serial Communication Units	CJ1W-SCU21-V1
	Thermocouple Input Unit	CJ1W-PTS15			CJ1W-SCU22	
	Resistance Thermometer Input Unit	CJ1W-PTS51			CJ1W-SCU31-V1	
		CJ1W-PTS16			CJ1W-SCU32	
	Temperature Control Loops, Thermocouple Unit	CJ1W-PTS52	CJ1W-SCU41-V1			
		CJ1W-TC001	CJ1W-SCU42			
		CJ1W-TC002	Ethernet Unit		CJ1W-ETN21	
		CJ1W-TC003	EtherNet/IP Unit		CJ1W-EIP21	
	Temperature Control Loops, RTD	CJ1W-TC004	High-speed Data Logging Unit		CJ1W-SPU01-V2	
CJ1W-TC101		DeviceNet Master Unit	CJ1W-DRM21			
CJ1W-TC102		CompoNet Master Unit	CJ1W-CRM21			
CJ1W-TC103		CompoBus/S Master Unit	CJ1W-SRM21			
Motion/Position Control Units	CJ1W-TC104	PROFINET I/O Controller Unit	CJ1W-PNT21			
	SSI Input Unit	CJ1W-CTS21-E	PROFIBUS DP-V1 Master Unit	CJ1W-PRM21		
	High Speed Counter Unit	CJ1W-CT021	PROFIBUS DP Slave Unit	CJ1W-PRT21		
	4-Channel Counter Unit	CJ1W-CTL41-E	Controller Link Unit	CJ1W-CLK23		
24VDC Motor Control Unit	CJ1W-DCM11-E	CAN Communication Unit	CJ1W-CORT21			
			Control Units	RFID Sensor Controller Unit	CJ1W-V680C11	
					CJ1W-V680C12	
					CJ1W-V600C11	
					CJ1W-V600C12	

Windows is a registered trademark of Microsoft Corporation in the United States and other countries.

OMRON EUROPE B.V. Wegalaan 67-69, NL-2132 JD, Hoofddorp, The Netherlands. Tel: +31 (0) 23 568 13 00 Fax: +31 (0) 23 568 13 88 industrial.omron.eu

Austria

Tel: +43 (0) 2236 377 800
industrial.omron.at

Belgium

Tel: +32 (0) 2 466 24 80
industrial.omron.be

Czech Republic

Tel: +420 234 602 602
industrial.omron.cz

Denmark

Tel: +45 43 44 00 11
industrial.omron.dk

Finland

Tel: +358 (0) 207 464 200
industrial.omron.fi

France

Tel: +33 (0) 1 56 63 70 00
industrial.omron.fr

Germany

Tel: +49 (0) 2173 680 00
industrial.omron.de

Hungary

Tel: +36 1 399 30 50
industrial.omron.hu

Italy

Tel: +39 02 326 81
industrial.omron.it

Netherlands

Tel: +31 (0) 23 568 11 00
industrial.omron.nl

Norway

Tel: +47 (0) 22 65 75 00
industrial.omron.no

Poland

Tel: +48 22 458 66 66
industrial.omron.pl

Portugal

Tel: +351 21 942 94 00
industrial.omron.pt

Russia

Tel: +7 495 648 94 50
industrial.omron.ru

South Africa

Tel: +27 (0)11 579 2600
industrial.omron.co.za

Spain

Tel: +34 913 777 900
industrial.omron.es

Sweden

Tel: +46 (0) 8 632 35 00
industrial.omron.se

Switzerland

Tel: +41 (0) 41 748 13 13
industrial.omron.ch

Turkey

Tel: +90 212 467 30 00
industrial.omron.com.tr

United Kingdom

Tel: +44 (0) 870 752 08 61
industrial.omron.co.uk

More Omron representatives
industrial.omron.eu

Automation Systems

- Programmable logic controllers (PLC) • Human machine interfaces (HMI) • Remote I/O
- Industrial PC's • Software

Motion & Drives

- Motion controllers • Servo systems • Inverters • Robots

Control Components

- Temperature controllers • Power supplies • Timers • Counters • Programmable relays
- Digital panel indicators • Electromechanical relays • Monitoring products • Solid-state relays
- Limit switches • Pushbutton switches • Low voltage switch gear

Sensing & Safety

- Photoelectric sensors • Inductive sensors • Capacitive & pressure sensors
- Cable connectors • Displacement & width-measuring sensors • Vision systems
- Safety networks • Safety sensors • Safety units/relay units • Safety door/guard lock switches

Although we strive for perfection, Omron Europe BV and/or its subsidiary and affiliated companies do not warrant or make any representations regarding the correctness or completeness of the information described in this document. We reserve the right to make any changes at any time without prior notice.